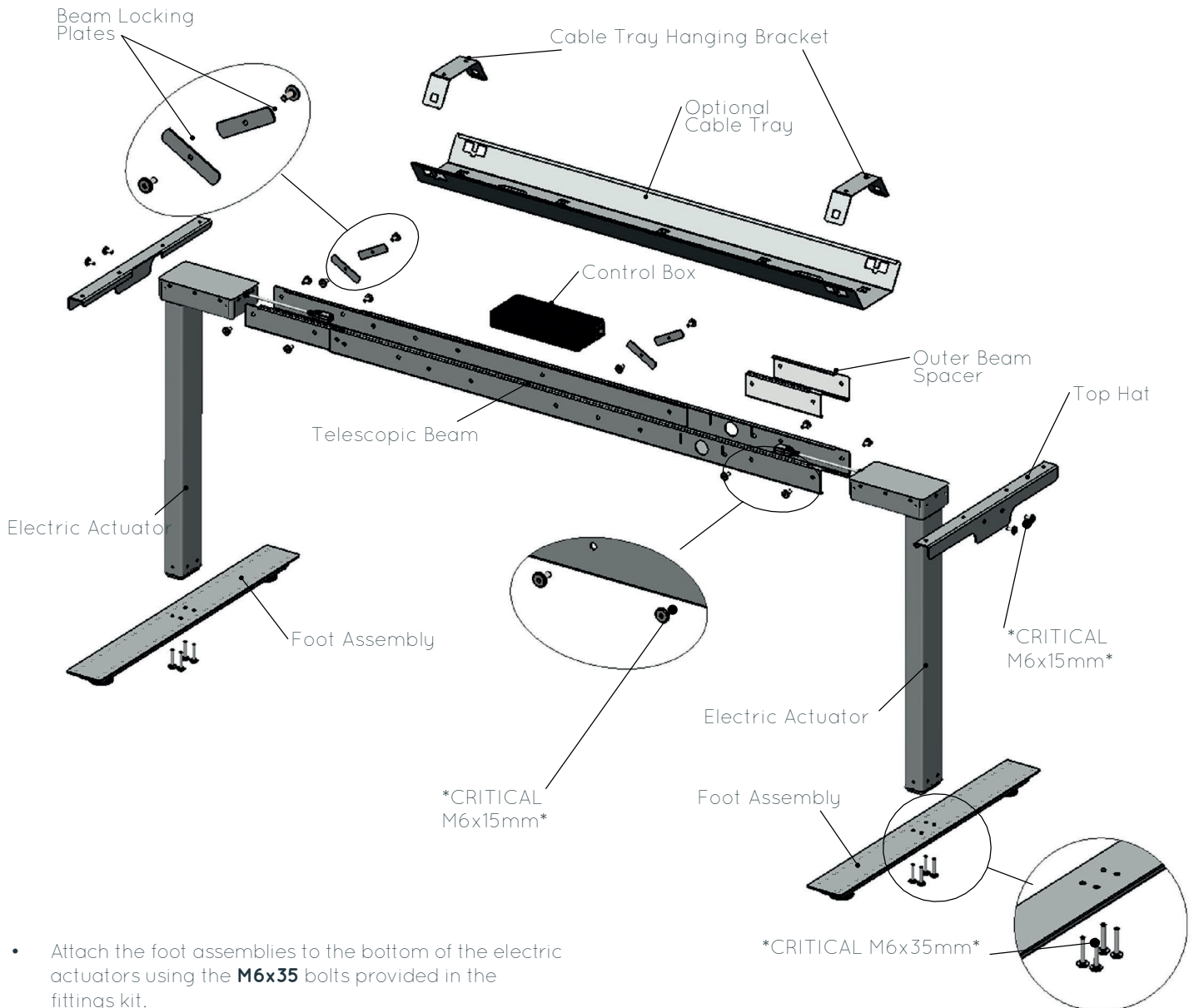


Single Sit & Stand assembly instructions 1 installer 10 minutes



- Attach the foot assemblies to the bottom of the electric actuators using the **M6x35** bolts provided in the fittings kit.
- Slide the control box into the telescopic beam **BEFORE** stretching the beam to the desired length and locking off with the beam locking plates and **M6x15** bolts.
- Break off the outer beam spacer from end of the inner beam.
- Slot the actuators into each end of the beam and secure with **M6x15** bolts through the beam sides, ensuring that the outer beam spacer is located correctly around the actuator at the outer beam end.
- Secure the top hats to the end of each actuator with **M6x15** bolts.
- Connect each actuator to the control box with the motor cables supplied, and plug the control switch into the control box.
- Plug the mains power cable into the control box and feed the wire through a cable hole in the base of the beam.

- Turn the whole assembly upside down and lay it on top of the upturned desktop. Secure the frame to the desktop with a choice of **M6x15** bolts or wood screws provided in the fittings kit.
- Click the control switch bracket into the switch and secure to the underside of the desktop in the desired location, ensuring the wire is fed through a suitable hole in the beam.
- If fitting the optional cable tray, screw the hanging brackets to the underside of the desktop before turning the desk assembly back over and then clip the tray onto the hanging brackets.
- On first start up it is necessary to calibrate the actuators by holding the down button on the control switch for 5 seconds after the frame reaches the bottom of its stroke.

